

PARTS LIST		SINGLE PHASE DEWATERING PUMP			1/28/2022	
ITEM	PART No.	DESCRIPTION	QTY	SIZE	MATERIAL	NOTES
1	001-499-16	Cable Set (32') 220V-60Hz(USA)	1	2PNCTF3Cx2mm2	KTV	
2	140-033-12	Hex.Bolt	2	M6x16	SUS304	included in ITEM#1 Cable Ass'y
3	140-447-13	Hex.Bolt (w/Plain Washer)	4	M8x25(B=12)	SUS304	
4	006-000-68	Stuffing Box	1	No.1-1(w/Clamp)	ADC	included in ITEM#1 Cable Ass'y
5	008-133-10	Mould Cover	1	No.1-9	CR	included in ITEM#1 Cable Ass'y
6	009-146-19	Terminal	3	CE-5	CU	
7	009-202-14	Intermediate Lead Wire	1Set	AWG-14x250L		
8	009-195-13	Intermediate Lead Wire	1Set	AWG-14x110L		
9	143-000-64	Pan Tapping Screw	1	M4x6	SUS410	
10	002-000-23	Irrax Tube A	1	d6x80		
11	002-000-23	Irrax Tube A	1	d6x80		
12	140-477-12	Hex.Bolt (w/Plain Washer)	3	M8x30	SUS304	
13	032-355-15	Hose Coupling 3" OPTION	1	NPT-3(KTV2-15) PC98	FC	
	032-000-21	Hose Coupling 2" OPTION	1	2" NPT	FC	2" OPTION
14	121-001-09	Packing	1	KTV2-15/22	NBR	*
15	068-232-16	Handle	1	KTV-15/22	SPC+Rubber	
16	140-074-15	Hex.Bolt	2	M10x20	SUS304	
17	140-056-11	Hex.Bolt	4	M8x30	SUS304	
18	143-085-34	Pan Screw (w/Spring Washer)	1	M4x6	C3604	
19	122-473-12	O-Ring	1	150xd3.3	NBR	*
20	143-085-34	Pan Screw (w/Spring Washer)	2	M4x6	C3604	
21	076-000-58	Capacitor 220V-60Hz(USA)	1	30MF,400VAC,d45x100.5L	(T)	
22	127-001-01	Capacitor Fixing Plate	1	NK3-22	SECC	
23	076-142-13	Capacitor 220V-60Hz(USA)	1	200MF-250VAC	(T)	
24	078-000-04	Centrifugal Switch Cover	1	NK3-22	SECC	
25	143-085-34	Pan Screw (w/Spring Washer)	4	M4x6	C3604	
26	002-000-22	Irrax Tube A	2	d6x130		
27	002-000-24	Insulation Sleeve	6	PF-250		
28	009-001-67	Intermediate Lead Wire	1Set	AWG14x220L(#41802)		
29	009-001-69	Intermediate Lead Wire	1Set	AWG14x150L(#41802)		
30	009-001-67	Intermediate Lead Wire	1Set	AWG14x220L(#41802)		
31	181-065-10	Cable Tie	1	CV-150	Nylon	
32	143-136-15	Truss Screw	2	M4x10	SWRM	
33	181-065-10	Cable Tie	1	CV-150	Nylon	
34	053-219-11	Motor Protector 220V-60Hz(USA)	1	KA143-CCZL402	(H.C)	
35	009-001-68	Intermediate Lead Wire	1Set	AWG14x150L(#41802)		
36	141-119-16	Hex.Nut	1	M10 (U-nut)	SS	
37	142-128-24	Plain Washer	1	M10	SPC	

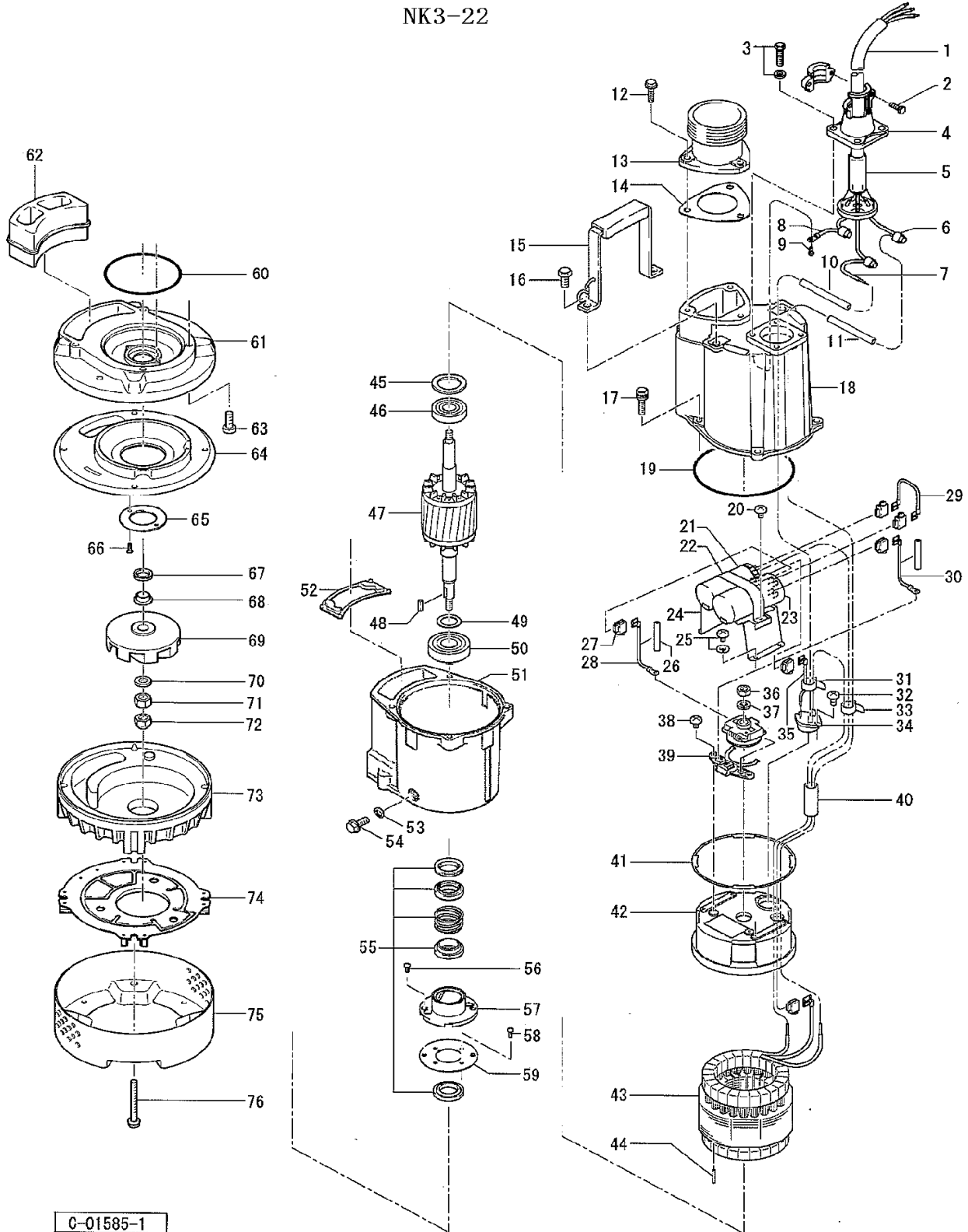
PARTS LIST		SINGLE PHASE DEWATERING PUMP			1/28/2022	
ITEM	PART No.	DESCRIPTION	QTY	SIZE	MATERIAL	NOTES
38	143-015-17	Pan Screw	2	M4x10	SWRM	
39	077-115-10	Centrifugal Switch	1	GS-114		
40	016-143-18	Lead Wire Protection Bush	1	d18x45l	NBR	
41	121-474-10	Packing	1	NK2-15/22	NBR	*
42	050-416-11	Motor Bracket	1		FC	
43	056-711-17	Stator 220V-60Hz(USA)	1Set			
44	145-031-15	Spring Pin	1	#4x25l	SCM	
45	142-195-19	Wave Washer	1	6204/6303(d47x,0.3t)	SK5	
46	052-103-18	Bearing	1	6204ZZC3		
47	055-695-11	Rotor	1Set	w/Bearing		
48	147-128-16	Impeller Key	1	5x5x18.5L	SUS403	
49	061-161-12	Bearing Collar	1	d25.1xd36x1.6t	SPC	
50	052-108-13	Bearing	1	6305ZZC3		
51	064-000-84	Motor Frame	1		ADC	
52	121-445-12	Packing (Water Way, Upp.)	1	KTV2-15/22	NBR	*
53	121-246-11	Packing	1	d10.3xd16x2t	PE	*
54	035-125-13	Oil Plug	1	M10x20(B=13)	SUS304	
55	025-243-17	Mechanical Seal	1	H-20T	SIC	
56	143-070-23	Pan Screw	2	M5x6	SWRM	
57	030-144-13	Oil Lifter	1	H-20(A)(T)	Resin	
58	143-070-10	Pan Screw	2	M5x6	SWRM	
59	030-155-17	Seal Stopper	1	H-20(KTV2)	SPCC	
60	122-134-18	O-Ring	1	G-115(114.4xd3.1)	NBR	*
61	029-000-77	Oil Casing	1	KTV2-15/22	ADC	
62	121-001-04	Packing (Water Way, Low.)	1	KTV2-15/22	SBR	*
63	140-270-13	Hex.Socket Cap Bolt	4	M8x30	SUS304	
64	031-000-08	Wear Ring	1	KTV2-15/22	BR+NR	
65	058-000-25	Protection Plate	1	d41xd70x3t	SUS304	
66	143-166-14	Flat Screw	2	M4x8	SUS304	
67	122-443-13	V-Ring	1	VR-20	NBR	
68	071-297-19	Shaft Sleeve	1	d16xd20x10l	SUS304	
69	021-F75-19	Impeller (60Hz)	1	NK3-22	FCD	
		Impeller (50Hz) OPTION	1		FCD	50Hz OPTION
70	142-129-12	Plain Washer	1	M12	SUS304	
71	141-007-10	Hex.Nut	1	M12	SUS304	
72	141-032-14	Hex.Cap Nut	1	M12	SUS304	
73	020B1918	Pump Casing	1	KTV2-15/22	BR+NR	
74	127-249-12	Fixing Plate	1	KTV2-15/22	SPCC	

* Indicates items included in set

PARTS LIST		SINGLE PHASE DEWATERING PUMP			1/28/2022	
ITEM	PART No.	DESCRIPTION	QTY	SIZE	MATERIAL	NOTES
75	023-432-19	Strainer Stand	1	KTV2-15/22	SPCC	
76	140-000-53	Hex.Bolt (w/Plain Washer)	4	M8x85(22L)	SUS304	
	173-502-19	Packing O-Ring Set	1Set	(Marked by *)		
14	121-001-09	Packing (Hose Coupling)	1	KTV2-15/22	NBR	*
19	122-473-12	O-Ring (M.Head cover/M.Frame)	1	150xd3.3	NBR	*
41	121-474-10	Packing (M.Head cover/M.Frame)	1	NK2-15/22	NBR	*
52	121-445-12	Packing (Water Way, Upp.)	1	KTV2-15/22	NBR	*
53	121-246-11	Packing (Oil Plug)	1	d10.3xd16x2t	PE	*
60	122-134-18	O-Ring (M.Frame/O.Casing)	1	G-115(114.4xd3.1)	NBR	*
62	121-001-04	Packing (Water Way, Low.)	1	KTV2-15/22	SBR	*
		Lubricant		Turbine Oil VG32 270ml		

PARTS LIST		SINGLE PHASE DEWATERING PUMP				1/28/2022
ITEM	PART No.	DESCRIPTION	QTY	SIZE	MATERIAL	NOTES

EXPLODED VIEW NK3-22



C-01585-1